

6

5

4

3

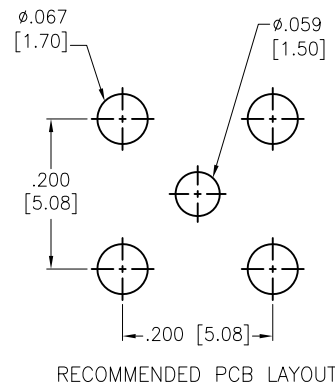
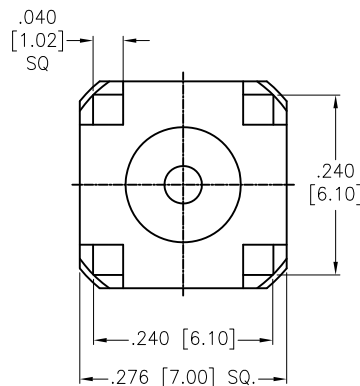
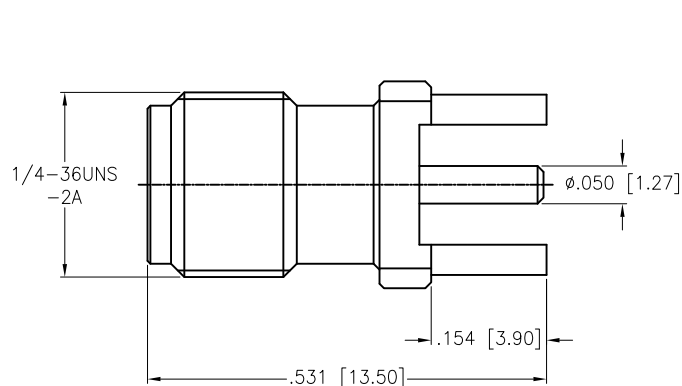
2

1

APPROVED: _____

DATE: _____ TITLE: _____

Rev	AWO #	Description	Date	Appr
-		RELEASED	7/20/16	



BODY	BRASS	GOLD
INSULATOR	PTFE	WHITE
CENTER PIN	BRASS	GOLD
DESCRIPTION	MATERIAL	FINISH

SPECIFICATIONS:

Electrical:
 Nominal Impedance: 50 ohms
 Frequency range: DC-18 GHz
 Working voltage: 335 VOLTS max.
 Proof voltage: 1,000 VOLTS
 Temperature Rating:
 Operating temperature: -65°C to +165°C
 Environmental:
 Lead free, RoHS compliant.



UNLESS OTHERWISE SPECIFIED ALL DIMENSIONS ARE INCHES [MM] TOLERANCES: EXCEPT AS NOTED INCHES HOLES .X ± .10 Ø.X ± .10 .XX ± .020 Ø.XX ± .015 .XXX ± .015 Ø.XXX ± .010		<h2>ADAM TECH</h2> 909 Rahway Avenue, Union, NJ 07083 Phone: 908-687-5000 Fax: 908-687-5710	
APPROVALS		DATE	
DRAWN	AY	7/20/16	
CHECKED	SY	7/20/16	
APPROVED			
TITLE		RF CONNECTOR, SMA STR PCB JACK	
SIZE	PART NO.	REV.	
X	RF2-19A-T-00-50-G	-	
REF:	S00277T	SCALE:	NTS SHEET 1 OF 1

6

5

4

3

2

1