

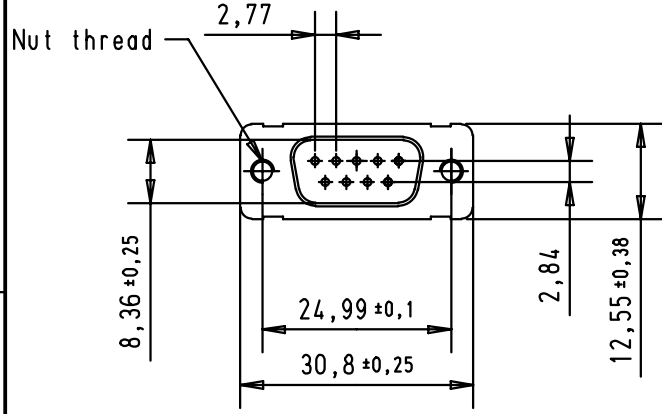
5

4

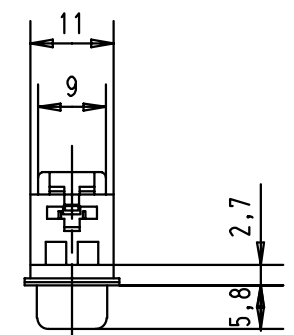
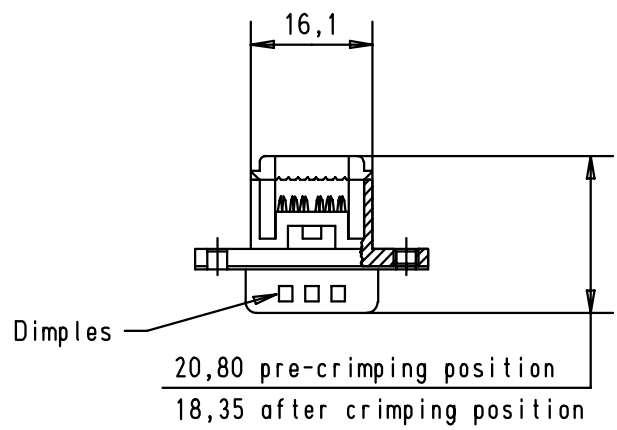
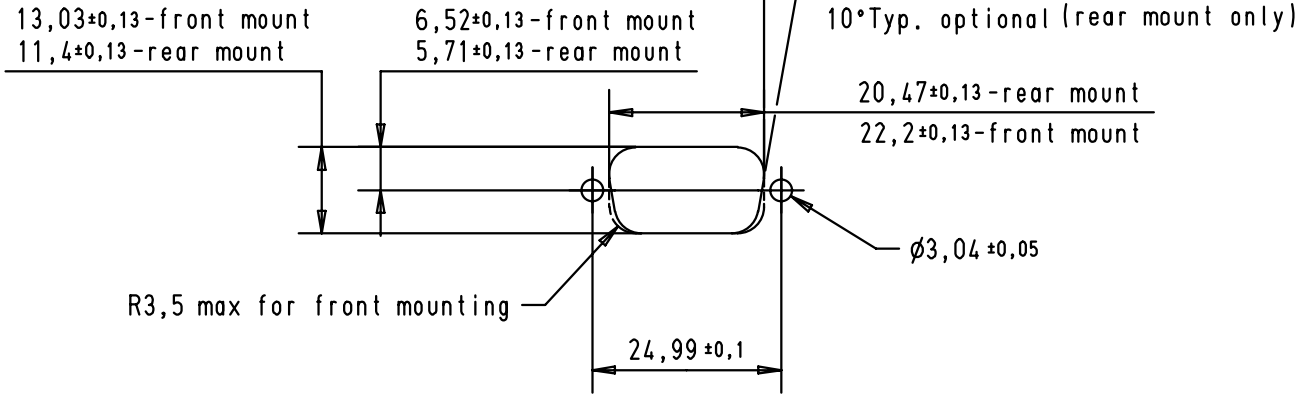
3

2

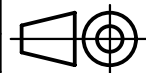

1



RECOMMENDED PANEL CUTOUT DIMENSIONS



1.27 mm pitch flat cable stranded, wire sizes : AWG 26 to 28

A	09 66 128 7702	9	3	4-40 UNC						 All Dim. in mm Orig. Size DIN A 4	D-Sub male connector Insulation displacement termination nut fixing	Maßstab/ Scale 1 : 1	
	09 66 128 6702	9	2	4-40 UNC				Detail.	19-MAR-02				CV
	09 66 128 7701	9	3	M3				Insp.					
	09 66 128 6701	9	2	M3				Stand.					
	part number	No of contact	performance level	Nut thread	29756 Mod.	19-MAR-02 Dat.	CV Name	HARTING ELEKTRONIK F-95972 Paris				TB 0966 128 x70x Sub.	Blatt/ Page 1 /