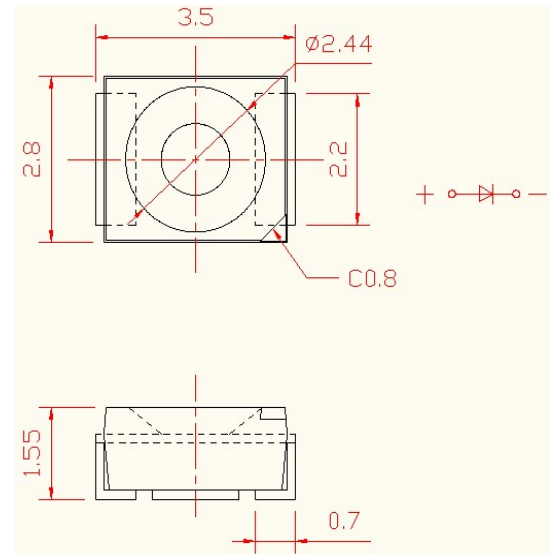


GNL-1210xx (3.5X2.8mm TOP TYPE)

ABSOLUTE MAXIMUM RATING:(Ta=25°C)

Parameter	Symbol	Max	Unit
DC Forward Current	I_F	20	mA
Reverse Voltage	V_R	6	V
Reverse Current (Vr=5V)	I_R	10	μ A
Peak Forward Current ,tw ,=1 msec Duty ,=1/20	I_{FP}	100	mA
Operation Temperature	Topr	-20-80	°C
Storage Temperature	Tstg	-40-80	°C
Solder Dip (10seconds,1.6mm from body) Temperature		260	°C

Package Dimensions



- 1.All dimensions are in millimeters .
- 2.Tolerance is ± 0.1 mm unless otherwise noted.
- 3.Protruded resin under flange is 1.0mm max.

Part Number	EMITTED COLOR		Lens Color	Peak Wavelength (nm)	Vf (v) Typ	IV (If=20mA) mcd		View Angle 2 θ 1/2
						Min.	Typ.	
GNL-1210UEC	AlGaInP	Red	Water Clear	625	2.0	100	200	120°
GNL-1210UYC	AlGaInP	Yellow	Water Clear	590	2.0	100	200	120°
GNL-1210PGC	INGaN	Green	Water Clear	520	3.2	400	1200	120°
GNL-1210UBC	INGaN	Blue	Water Clear	470	3.2	150	300	120°
GNL-1210UWC	INGaN	White	Yellow phosphor	5500K-7000K	3.2	2lm	3lm	120°
GNL-1210UWC-Y	INGaN	Warm White	Yellow phosphor	2800K-3200K	3.2	2lm	3lm	120°