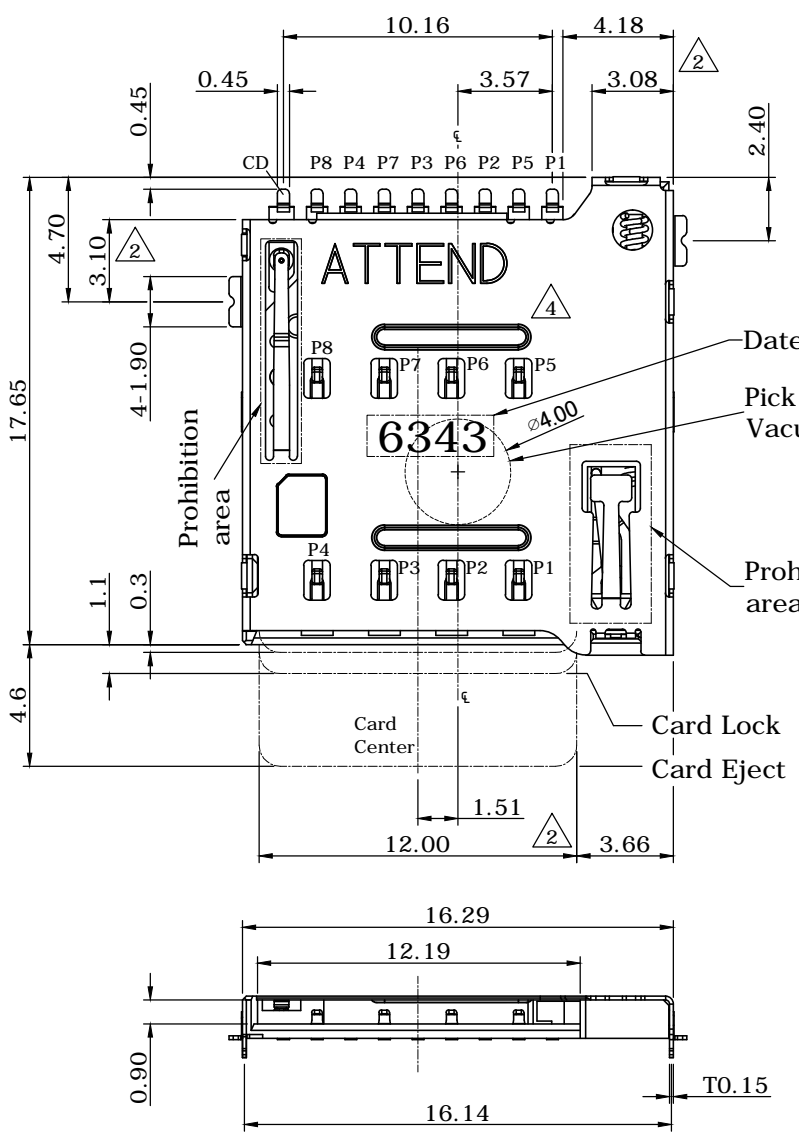
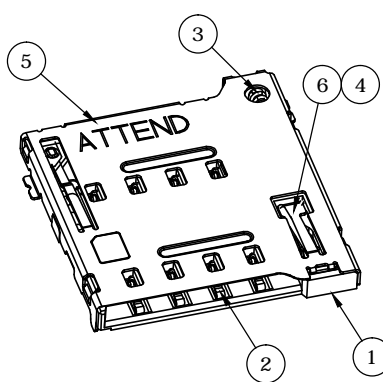
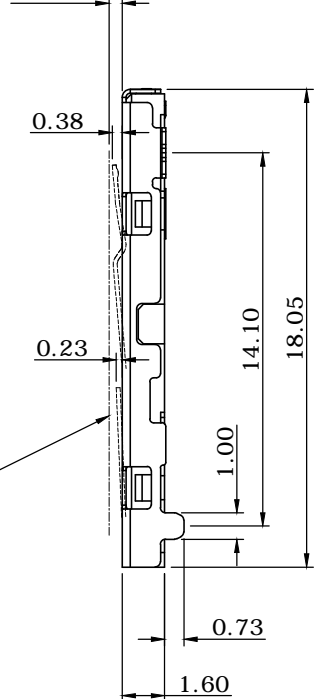


△<sub>3</sub> Date Code: **6 34 3**  
 year    day(1~7)  
 week(1~52)



Prohibition area  
 High  
 H0.50




REV.	DESCRIPTION	DRAWN	DATE
2	Add dimensions	FROS	2015/07/01
3	Revised datecode	FROS	2016/08/19
4	ECR1800010 add Rib	FROS	2018/05/10

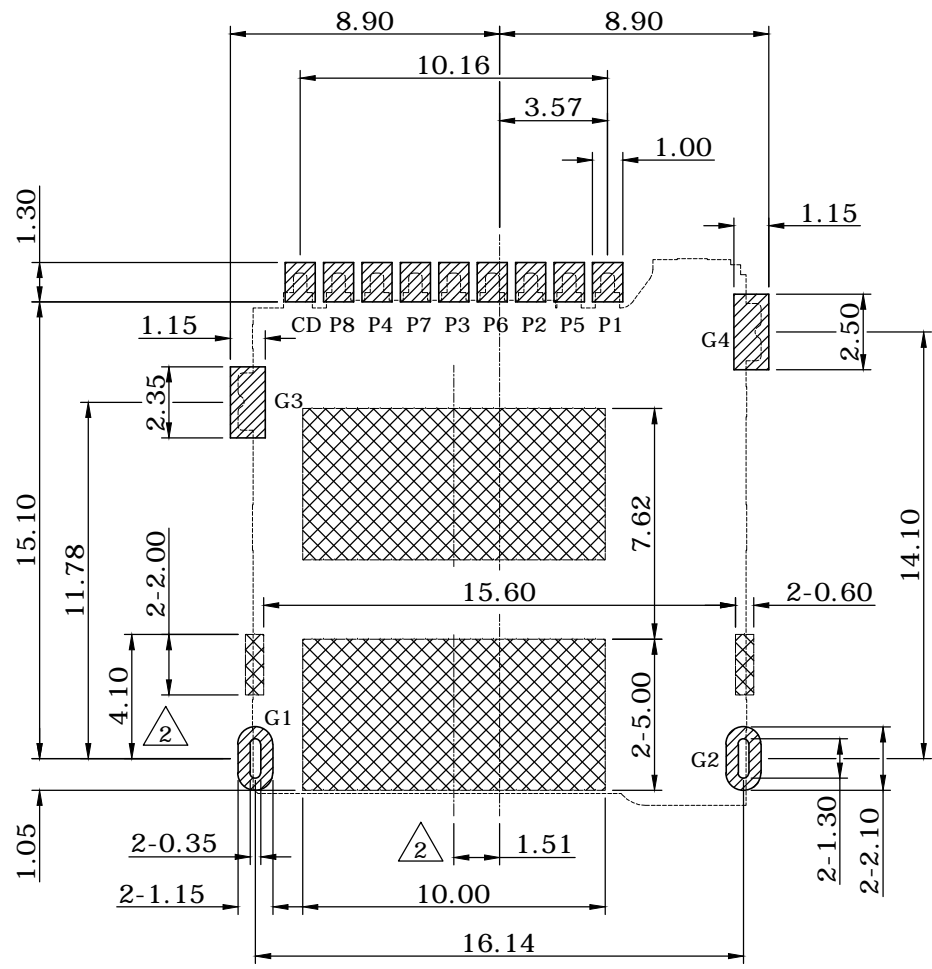
**SPECIFICATION:**

1. ELECTRICAL
  - 1.1 Current Rating: 0.5A DC/AC
  - 1.2 Voltage Rating: 10V DC/AC
  - 1.3 Contact Resistance:
    - P1~P8: 100mΩ Max.
    - CD: 140mΩ Max.**
  - 1.4 Insulation Resistance: 1000MΩ Min.
  - 1.5 Dielectric Withstanding Voltage:
    - 500VAC for 1 minute
2. MECHANICAL
  - 2.1 Durability: 5,000 Cycle
  - 2.2 Insertion Force: 10N Max.
  - 2.3 Extraction Force: 0.5N Min.
3. ENVIRONMENTAL
  - 3.1 Operating temperature range: -25°C~+85°C
  - 3.2 Storage temperature range: -25°C~+85°C

NO.	PART NAME	DESCRIPTION
6	SLIDER	LCP E130i, UL94V-0, Black
5	SHELL	SUS304CSP-3/4H, 0.15t, 50u" nickel plated
4	CRANK	SUS304, 0.35d
3	SPRING	SWP-B, 0.20d, 80u" copper coating over 65u" nickel plated
2	CONTACT	C5210R-H, 0.12t, 5u" gold on contact area 1u" gold on tail area, under plated: 50u" nickel
1	HOUSING	LCP E130i, UL94V-0, Black

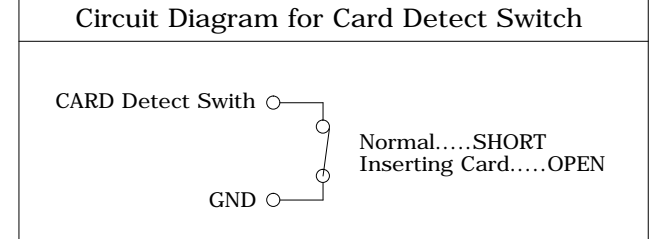
UNLESS OTHERWISE SPECIFIED TOLERANCE					
UNIT:	DECIMAL	LINEAR	ANGLES		
mm	X.	±0.50	±5°	WWW.ATTEND.COM.TW DRAWN NAME: Micro SIM Card Socket push-push type	
	X.X	±0.25	±3°		
	X.XX	±0.12	±1°		
DRAWN	Fros	2014/11/24	PRODUCT NO. 115Q-BCA0 FILE NAME 115Q-BCA0_B_4		
CHECKED	Ron	2014/11/24			
APPROVED	Albert	2014/11/24			
SCALE	3.5/1	SHEET	1/4	SIZE	A4


REV.	DESCRIPTION	DRAWN	DATE
	SEE SHEET 1		



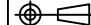
Connector terminal NO.	Pin Name
PIN 1	VCC:PWR signal and GND
PIN 2	RST:Reset singal
PIN 3	CLK:Clocking singal
PIN 4	Reserved
PIN 5	GND:PWR singal and GND
PIN 6	VPP:programming Voltage
PIN 7	I/O:serial date input/output
PIN 8	Reserved

G1~G4	GND
CD	CARD DETECTOR



 There should not be any circuits in layout area of the products.

Recommended PCB layout  
General Tolerance±0.05

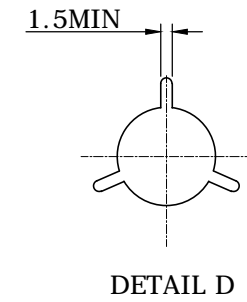
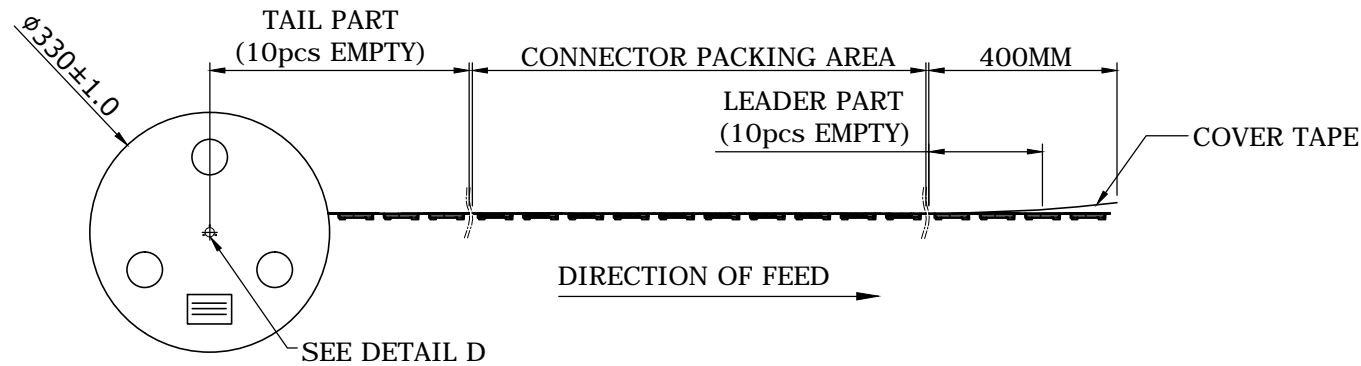
UNLESS OTHERWISE SPECIFIED TOLERANCE			
UNIT:	DECIMAL	LINEAR	ANGLES
mm	X.	±0.50	±5°
	X.X	±0.25	±3°
	X.XX	±0.12	±1°
DRAWN	Fros	2014/11/24	DRAWN NAME: Micro SIM Card Socket push-push type
CHECKED	Ron	2014/11/24	
APPROVED	Albert	2014/11/24	PRODUCT NO. 115Q-BCA0
	SCALE 4/1	SHEET 2/4	SIZE A4
FILE NAME		115Q-BCA0_B_4	



WWW.ATTEND.COM.TW

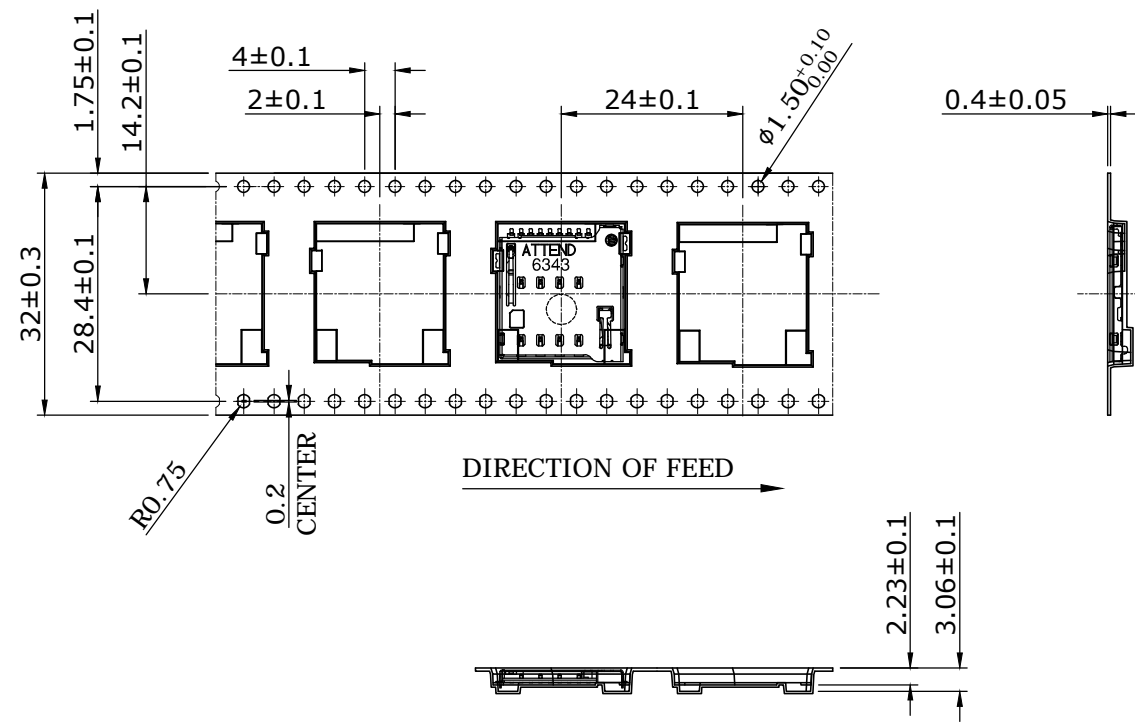
A


REV.	DESCRIPTION	DRAWN	DATE
	SEE SHEET 1		



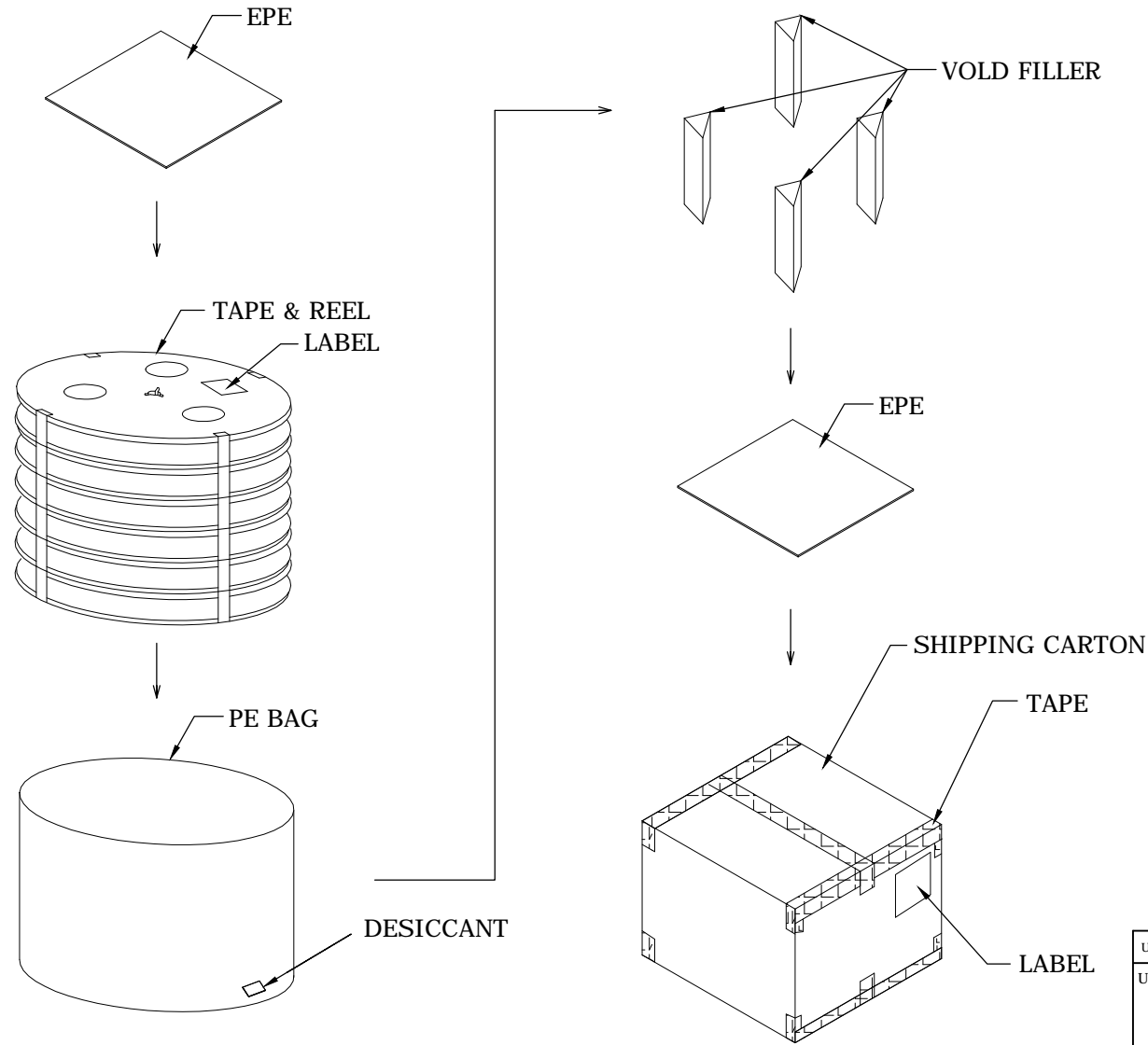
**PACKAGING SPECIFICATION:**

1. MATERIAL
  - 1.1 Embossed Carrier Tape: PS Black
  - 1.2 Top Cover Tape: PE  
20-80g (Peel Speed 300mm/Minute)
  - 1.3 Taping Reel: Plastic Paper
2. PACKING
  - 2.1 Quantity:  
800 Piece/Reel  
6 Reel/Inner Carton  
4800 Piece/Outer Carton
  - 2.2 Net Weight: 0.67g
  - 2.3 Gross Weight: 6.65Kg/Carton



UNLESS OTHERWISE SPECIFIED TOLERANCE					
UNIT:	DECIMAL	LINEAR	ANGLES		
mm	X.	±0.50	±5°	WWW.ATTEND.COM.TW	
	X.X	±0.25	±3°		
	X.XX	±0.12	±1°		
DRAWN	Fros	2014/11/24	DRAWN NAME:		
CHECKED	Ron	2014/11/24	Micro SIM Card Socket push-push type		
APPROVED	Albert	2014/11/24	PRODUCT NO.	115Q-BCA0	
SCALE 1/1		SHEET 3/4	SIZE A4	FILE NAME	115Q-BCA0_B_4

REV.	DESCRIPTION	DRAWN	DATE
	SEE SHEET 1		



UNLESS OTHERWISE SPECIFIED TOLERANCE			
UNIT:	DECIMAL	LINEAR	ANGLES
mm	X	±0.50	±5°
	X.X	±0.25	±3°
	X.XX	±0.12	±1°



WWW.ATTEND.COM.TW

DRAWN	Fros	2014/11/24	DRAWN NAME:	
CHECKED	Ron	2014/11/24	Micro SIM Card Socket push-push type	
APPROVED	Albert	2014/11/24	PRODUCT NO.	115Q-BCA0
⊕	SCALE N/A	SHEET 4/4	SIZE A4	FILE NAME 115Q-BCA0_B_4