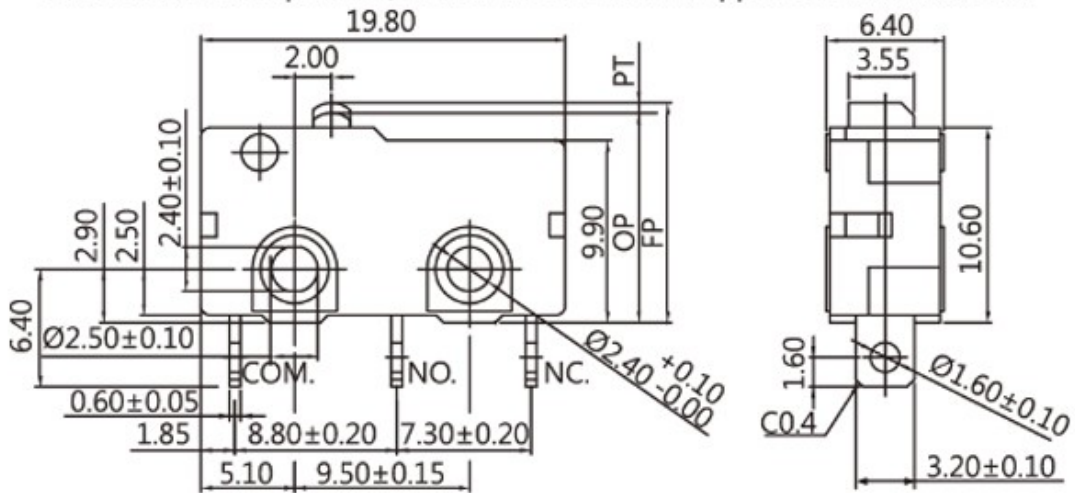
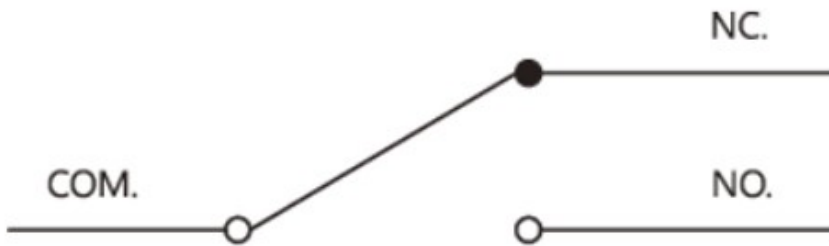


# DIMENSIONS

Unless otherwise specified, a tolerance of  $\pm 0.4\text{mm}$  applies to all dimensions.



# CONTACT CONFIGURATION



<b>S</b>	<b>M</b>	<b>0</b>	<b>5</b>	<b>S</b>	<b>0</b>	<b>3</b>	<b>P</b>	<b>0</b>	<b>Z</b>	
SERIES PREFIX		RATING CURRENT		OPERATING FORCE		ACTUATOR TYPE		CIRCUIT ARRANGEMENT		ROHS CODE
		P1	0.1A 125/250VAC	T	MAX HEAVIER	00		A		
		05	5A 125/250VAC	Q	HEAVIER	01		B		
				H	HEAVY	02		C		
				S	STANDARD	03		D		
				L	LIGHT	04		E		
				D	SLIGHT	:		P		
#NOTE										
ITEM	RATING CURRENT	OPERATING FORCE								
1	Code:P1	T,Q,H,S,LD								
2	Code:05	T,Q,H,S								