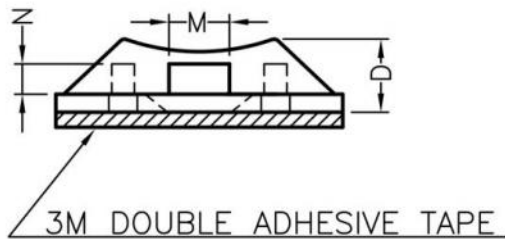
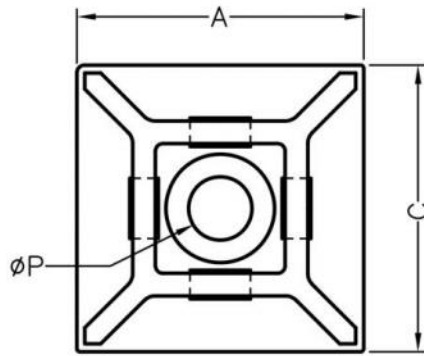


WEBSITE PHOTOS

⚠ This dwg is for reference only, Actual dwg should be based on formal engineering dwg issued by Kang Yang.



A	C	D	M	N	P
27.8	27.8	5.5	5.6	2.0	Ø5.6

- 1.It is normal if it is shrinking.
- 2.All measurement does not include gate which raises under 0.3mm.
- 3.The adhesive tape is cut by hand ,it is normal if there is a not unified edge.
- 4.The Height is not include the releasing paper and adhesive tape ' s thickness.
- 5.Please peel off the paper from backing backing lightly to avoid tear off the coating and make bubbling.


**康揚企業股份有限公司**  
 KANG YANG HARDWARE ENTERPRISE CO., LTD.  
**康揚塑膠(東莞)有限公司**  
 KANG YANG PLASTIC(DONG GUAN )CO.,LTD.  
**康哲電腦配件(吳江)有限公司**  
 KANG CHE COMPUTER COMPONENTS(WUJIANG) CO.,LTD.

PART NUMBER		CM-28	SPEC. DWG.	
TITLE				
CABLE TIE MOUNT				
MATERIAL		NYLON 66(UL) 94V-2	COLOR	
			NATURAL	
SIZE	SCALE	UNIT	CHECK	
A4	2:1	mm	Z.C	